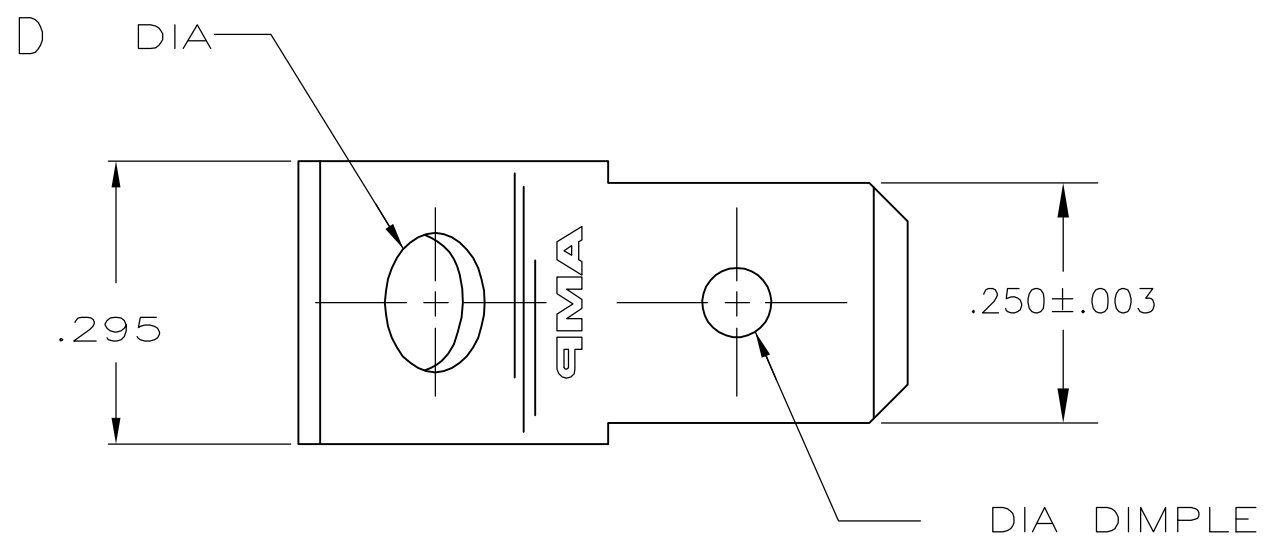
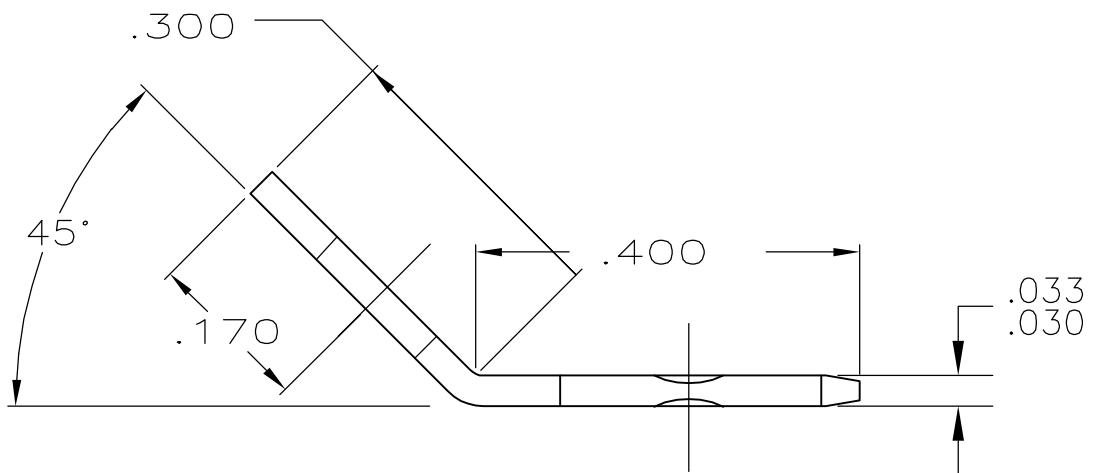


THIS DRAWING IS UNPUBLISHED. RELEASED FOR PUBLICATION
 © COPYRIGHT BY TYCO ELECTRONICS CORPORATION. ALL RIGHTS RESERVED.

LOC	DIST	REVISIONS			
P	LTR	DESCRIPTION	DATE	DWN	APVD
AF	50	P	REV PER ECR-05-017287	06APR06	HMR JR



- 1 SUPPLIED IN LOOSE PIECE FORM.
- △2 FOREIGN PRODUCTION ONLY.
- △3 .000080 MIN TIN PLATE
- △4 .000150 MIN SILVER PLATE
- △5 .000015 MIN GOLD OVER .000050 MIN NICKEL
- △6 .000030 MIN GOLD OVER .000050 MIN NICKEL
- △7 PRELIMINARY - NOT FOR PRODUCTION
- △8 PREPRODUCTION - FASR REQ



MATERIAL	FINISH	D	DIM	PART NO
1/2 HARD STAINLESS STEEL	-	.145 ±.005	△8	42822-8
082 BRASS	△6	.145 ±.005	△7	42822-7
082 BRASS	△5	.145 ±.005	△7	42822-6
OBSOLETE 082 BRASS		.145 ±.005	△2	42822-5
OBSOLETE 082 BRASS	△3	.145 ±.005		42822-4
OBSOLETE 082 BRASS	△4	.130 ±.005		42822-3
OBSOLETE 082 BRASS	△3	.130 ±.005		42822-2
OBSOLETE 082 BRASS		.130 ±.005		42822-1

THIS DRAWING IS A CONTROLLED DOCUMENT.		DWN JR RUTH 6/7/91	Tyco Electronics Corporation Harrisburg, PA 17105-3608	
DIMENSIONS: INCHES		CHK MS FEHER 6/7/91		
TOLERANCES UNLESS OTHERWISE SPECIFIED:		APVD R BEAVER 6/7/91	NAME TAB, FASTON, .250 SERIES	
0 PLC ± - 1 PLC ± - 2 PLC ± .015 3 PLC ± - 4 PLC ± - ANGLES ± -		PRODUCT SPEC -	RESTRICTED TO -	
MATERIAL SEE TABLE		APPLICATION SPEC -	SIZE A3	CAGE CODE 00779
FINISH SEE TABLE		WEIGHT -	DRAWING NO C-42822	REV P
CUSTOMER DRAWING			SCALE 5:1	SHEET 1 OF 1